

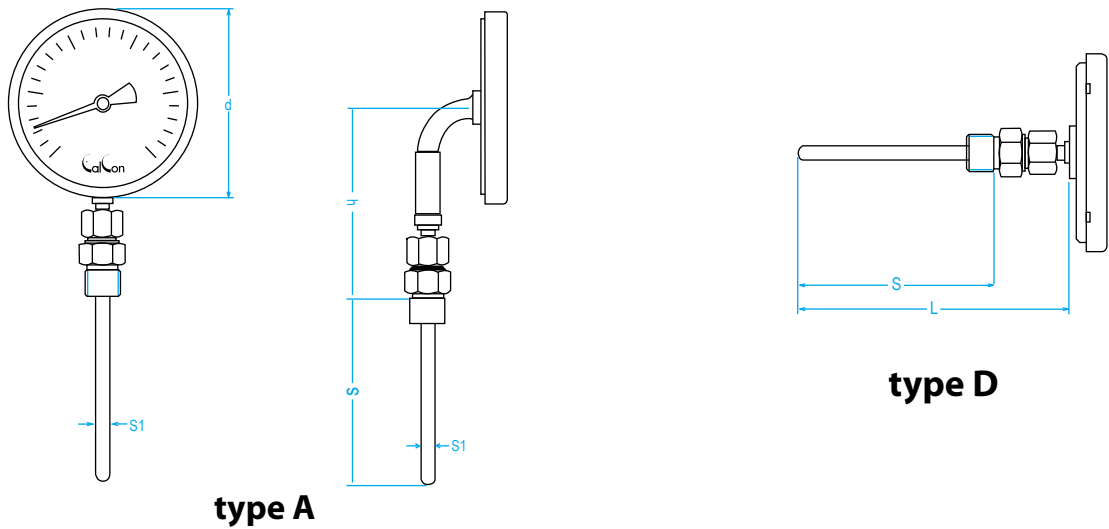
# CCTB18

## all stainless steel bimetal thermometer

model	Ø80mm Ø100mm Ø125mm Ø160mm
CCTB 18/A with bottom connection	bottom
CCTB 18/D with back connection	centre back
<b>standard feautre</b>	
case with bayonet bezel	stainless steel AISI 304
sensing element	stainless steel AISI 316
window	glass
range in °C or equivalent	from -50 .....0/500
connection	1/2" AISI 316 adjustable
stem length	from 63 .... 500 mm
stem diameter	6 mm
max. process temperature	510 °C
accuracy at 20 °C	1,0 %
zero adjustable	external screw

options	Ø63mm	Ø80mm	Ø100mm	Ø125mm	Ø160mm
case and bezel st.st.AISI 316	a	a	a	a	a
plexiglas window	a	a	a	a	a
safety glass window	a	a	a	a	a
glycerine filling	a	a	a	a	a
silicon filling	a	a	a	a	a
zero adjustment (external screw)	s	s	s	s	s
accuracy 1,6% at 20 °C	a	a	a	a	a
stem Ø6.4mm / 8mm / 9.6mm / 12.7mm	a	a	a	a	a
non standard thread	a	a	a	a	a
non standard dial	a	a	a	a	a

a = available as option; s = standard in execution



measurement	Ø63mm	Ø80mm	Ø100mm	Ø125mm	Ø160mm
d in mm	63	84	112	130	166
h in mm	90	90	90	90	90
S	to specify	to specify	to specify	to specify	to specify
S1 in mm	6	6	6	6	6

dimensions are approximate and can be changed without prior notice