

# 620B

## Stainless Steel Case

COMMERCIAL • CONTRACTOR GAUGES



620B shown

- ▶ 4 1/2" Dial Size
- ▶ ±1.0% Accuracy
- ▶ Stainless Steel Case
- ▶ Recalibrator Screw

The **620B** Trerice Contractor Gauge is designed to service the general pressure measurement requirements of the construction industry. The 620B offers high reliability at an economic price. This gauge features a corrosion resistant, stainless steel case and acrylic window. Wetted parts are brass.

- For correct use and application of all pressure gauges, please refer to: Pressure Gauge Standard ASME B40.100.

### Specifications

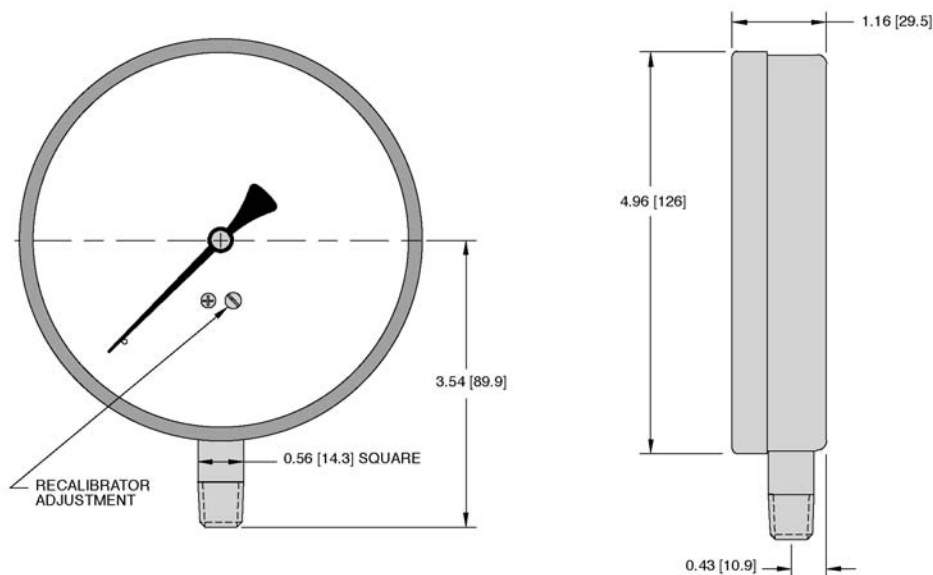
<b>Model</b>	620B
<b>Dial Size</b>	4 1/2"
<b>Wetted Parts</b>	Brass tube & socket
<b>Movement</b>	Brass
<b>Connection</b>	Lower male, 1/4 NPT
<b>Case</b>	304 stainless steel, stem-mounted flangeless
<b>Ring</b>	Friction type, 304 stainless steel
<b>Window</b>	Acrylic
<b>Pointer</b>	Plain, black finished
<b>Dial Face</b>	Aluminum, white background with black graduations and markings
<b>Accuracy</b>	±1.0% Full Scale, ASME B40.100 Grade 1A
<b>Maximum Temperature</b>	250°F (121°C)
<b>Approximate Shipping Weight</b>	0.8 lbs [0.36 kg]

### HOW TO ORDER

Sample Order Number: **620B 45 02 L D 140**

Model	Dial Size	Connection Size	Connection Location	Units of Measure	Range Code
620B	45 4 1/2"	02 1/4 NPT	L Lower	A psi D psi/kPa	See Standard Ranges

All dimensions are nominal. Dimensions in [ ] are in millimeters.



### Standard Ranges

psi Ranges (A)				psi/kPa Ranges (D)					
Range Code	Specific Range (psi)	Figure Intervals	Minor Divisions	Range Code	Specific Range	psi		kPa	
						Figure Intervals	Minor Divisions	Figure Intervals	Minor Divisions
010	30" Hg to 0	5	0.5	010	30" Hg to 0 / -100 to 0 kPa	5	0.5	10	2
020	30" Hg to 15 psi	10/5	0.5/0.5	020	30" Hg to 15 psi / -100 to 100 kPa	10/5	1/0.5	20	2
030	30" Hg to 30 psi	10/5	1/1	030	30" Hg to 30 psi / -100 to 200 kPa	10/5	1/1	50	5
040	30" Hg to 60 psi	10/10	2/1	040	30" Hg to 60 psi / -100 to 400 kPa	30/10	2/1	100	10
050	30" Hg to 100 psi	30/20	2/2	050	30" Hg to 100 psi / -100 to 700 kPa	30/20	2/2	100	10
060	30" Hg to 150 psi	30/20	5/2	060	30" Hg to 150 psi / -100 to 1000 kPa	30/20	5/2	100/200	20
070	30" Hg to 300 psi	30/50	5/5	070	30" Hg to 300 psi / -100 to 2000 kPa	30/50	10/5	100/200	20
080	0 to 15 psi	3	0.2	080	0 to 15 psi / 0 to 100 kPa	2	0.2	10	2
090	0 to 30 psi	5	0.5	090	0 to 30 psi / 0 to 200 kPa	5	0.5	20	2
100	0 to 60 psi	10	1	100	0 to 60 psi / 0 to 400 kPa	10	1	50	5
110	0 to 100 psi	10	2	110	0 to 100 psi / 0 to 700 kPa	10	2	100	10
120	0 to 160 psi	20	2	120	0 to 160 psi / 0 to 1100 kPa	20	2	100	20
130	0 to 200 psi	20	2	130	0 to 200 psi / 0 to 1400 kPa	20	2	200	20
140	0 to 300 psi	50	5	140	0 to 300 psi / 0 to 2000 kPa	50	5	200	20
150	0 to 400 psi	50	5	150	0 to 400 psi / 0 to 2800 kPa	50	5	400	50
160	0 to 600 psi	100	10	160	0 to 600 psi / 0 to 4000 kPa	100	10	500	50