



Series 81

200mm

V-line Thermometer, Straight 200mm

V-Form Maschinen-Glasthermometer, Gerade 200mm

Thermomètre Industriel Forme V, Droite 200mm

DIN 16189



Case size: 200mm
Gehäusedurchmesser: 200mm
Boîtier: 200mm

Case Material & Finish: ≤ 200C: Rynite™, Brass coloured
 > 200C: Aluminium, Anodized
Gehäusematerial & Ausführung: ≤ 200C: Rynite™, Messingfarbig
 > 200C: Aluminium, Eloxiert
Materieau de boîtier & finition: ≤ 200C: Rynite™, couleur laiton
 > 200C: Aluminium, anodisée

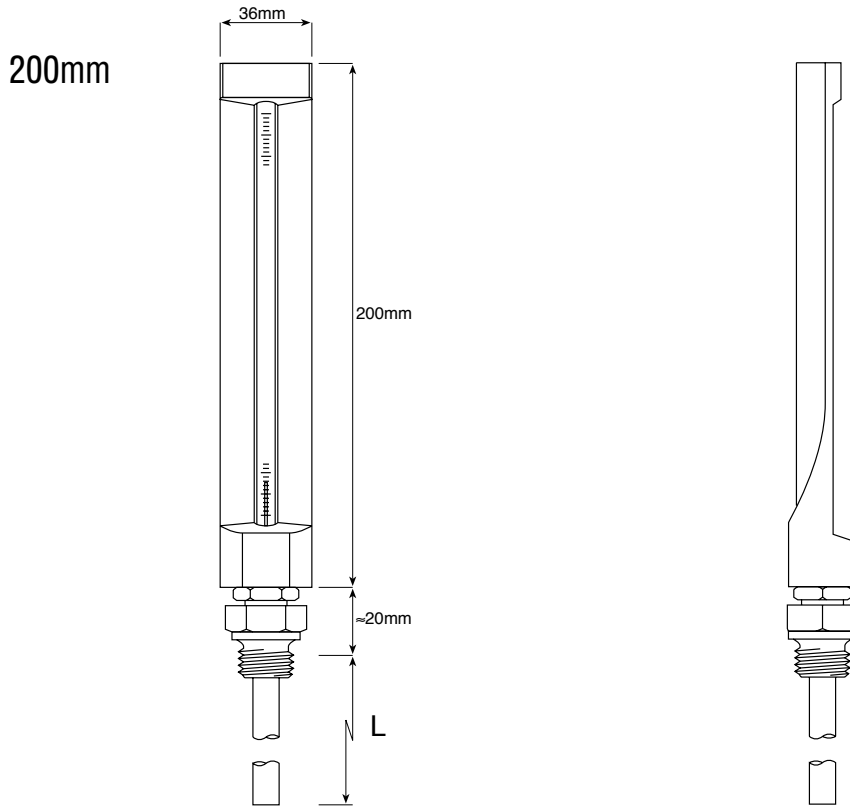
Glass Thermometer Filling: ≤ 200C: Blue Filling
 > 200C: Mercury
Anzeigerflüssigkeit: ≤ 200C: Blaue Füllung
 > 200C: Quecksilber
Liquide de remplissage: ≤ 200C: Liquide bleu
 > 200C: Mercure

Connection: 1/2" BSP (22mm AF);
Anschluß: G 1/2 A (SW 22mm);
Raccord: G 1/2 (SP 22mm);

Pocket Material: ≤ 200C: Brass
 > 200C: Mild Steel
Schutzröhrwerkstoff: ≤ 200C: Messing
 > 200C: Stahl
Matériau de gaine: ≤ 200C: Laiton
 > 200C: Acier



S.Brannan & Sons Ltd Cleator Moor Cumbria CA25 5QE England
 Tel. +44 (0)1946 810413 Fax +44 (0)1946 813694 UK Sales Tel 01946 813655



C / C&F	X	L = 63mm	L = 100mm	L = 160mm	L = 250mm	L = 400mm
-60 + 40 C	x1C	81/053/0	81/055/0	81/056/0	81/057/0	81/058/0
-60 + 40 C&F	x1C x2F	81/043/0	81/045/0	81/046/0	81/047/0	81/048/0
-30 + 50 C	x1C	81/093/0	81/095/0	81/096/0	81/097/0	81/098/0
-30 + 50 C&F	x1C x2F	81/103/0	81/105/0	81/106/0	81/107/0	81/108/0
0 + 50 C	x1C	81/153/0	81/155/0	81/156/0	81/157/0	81/158/0
0 + 50 C&F	x1C x2F	81/163/0	81/165/0	81/166/0	81/167/0	81/168/0
0 + 100 C	x1C	81/193/0	81/195/0	81/196/0	81/197/0	81/198/0
0 + 100 C&F	x1C x2F	81/183/0	81/185/0	81/186/0	81/187/0	81/188/0
0 + 120 C	x1C	81/223/0	81/225/0	81/226/0	81/227/0	81/228/0
0 + 120 C&F	x1C x2F	81/233/0	81/235/0	81/236/0	81/237/0	81/238/0
0 + 160 C	x2C	81/293/0	81/295/0	81/296/0	81/297/0	81/298/0
0 + 160 C&F	x2C x5F	81/303/0	81/305/0	81/306/0	81/307/0	81/308/0
0 + 200 C	x2C	81/323/0	81/325/0	81/326/0	81/327/0	81/328/0
0 + 200 C&F	x2C x5F	81/333/0	81/335/0	81/336/0	81/337/0	81/338/0
0 + 300 C	x2C	81/863/1	81/865/1	81/866/1	81/867/1	81/868/1
0 + 300 C&F	x2C x5F	81/873/1	81/875/1	81/876/1	81/877/1	81/878/1
0 + 400 C	x5C	81/903/1	81/905/1	81/906/1	81/907/1	81/908/1
0 + 400 C&F	x5C x10F	81/883/1	81/885/1	81/886/1	81/887/1	81/888/1
0 + 500 C	x5C	81/933/1	81/935/1	81/936/1	81/937/1	81/938/1
0 + 500 C&F	x5C x10F	81/943/1	81/945/1	81/946/1	81/947/1	81/948/1

Replacement tubes: these can be identified by adapting the standard product number and using the figure 6 as the last digit (replacing either 0 or 1).

Ersatzkapillaren: diese können identifiziert werden, indem die Standardproduktnummer abgeändert und die Ziffer 6 als die letzte Stelle (anstatt entweder 0 oder 1) benutzt wird.

Verres de rechange: ceux-ci doivent être identifiés en remplaçant le dernier chiffre (0 ou 1) du produit complet par un 6.