



PRESSURE SWITCHES
PRESSURE DIFFERENCE SWITCHES
VACUUM SWITCHES
From 1.5 mbar to 600 bar

MX/MZ High Range Pressure Switches

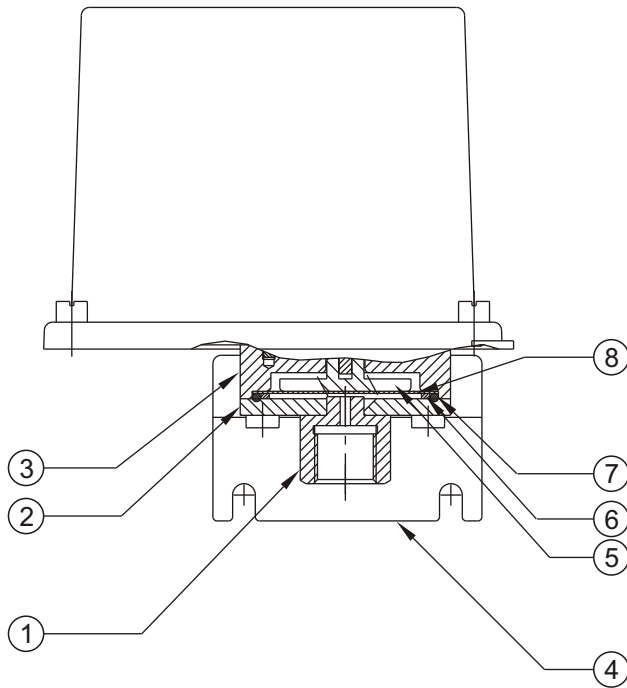
CATALOGUE



MX/MZ HIGH RANGE PRESSURE SWITCHES



PRESSURE CAPSULE DETAILS

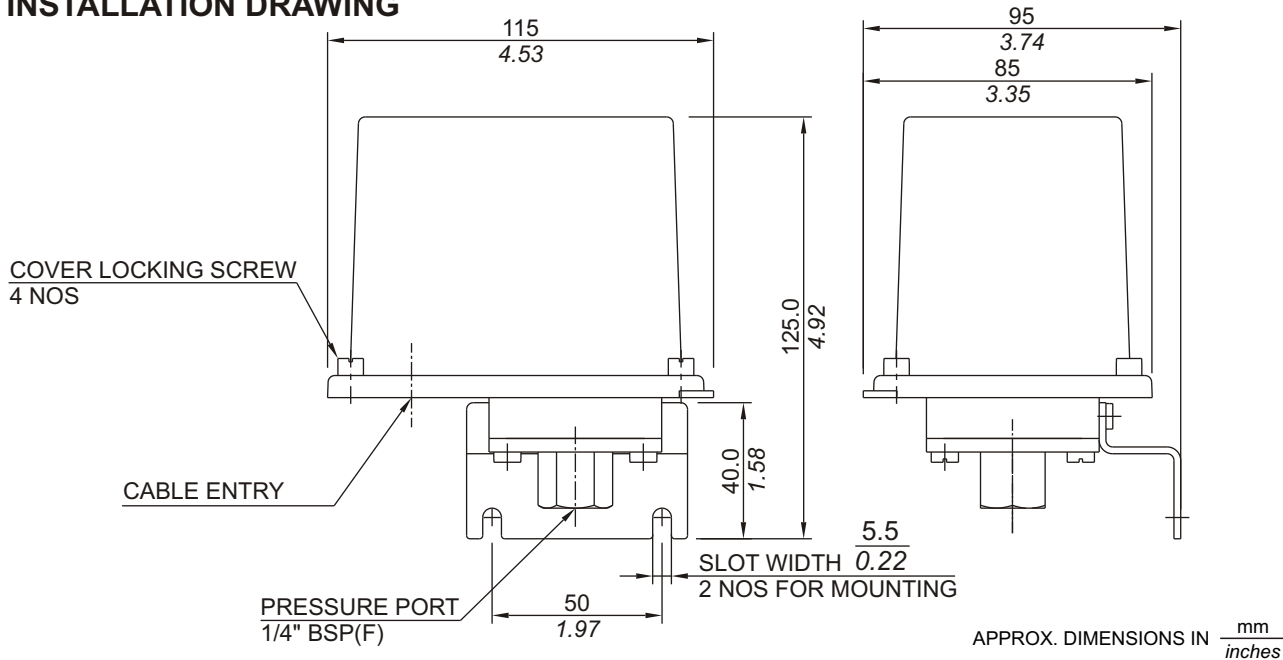


No. Description

1. *Pressure Port (SS316)*
2. *Housing Plate (SS316)*
3. *Disc*
4. *Mounting Bracket*
5. *Plunger*
6. *Ring (SS316)*
7. *O-Ring (Teflon®)*
8. *Diaphragm (Teflon®)*

Note : *wetted parts* are mentioned in italics.

INSTALLATION DRAWING



HIGH RANGE PRESSURE SWITCHES

MX/MZ

General Information :

MX/MZ pressure switches are housed in a transparent, tough Polycarbonate IP66 enclosure and are intended for outdoor use.

The repeat accuracy is better than 2% FSR. A choice of cable entries can be fitted to the enclosure. An internal earthing terminal is provided. Terminal strip suitable for wired ends is provided inside the enclosure. Pressure Port is ¼" BSPF standard.

FEATURES :

- Compact
- IP 66 protection
- Tamperproof : sealing facility provided
- Transparent cover for internal working visibility
- Wide band adjustable differential provision
- SS316 & Teflon as standard wetted parts to suit a wide range of working media
- Electrical rating : 15 Amp. 250 VAC
- Pressure port : ¼" BSPF

RANGE SELECTION TABLE

| Range † bar (psi) | Maximum Working Pressure bar (psi) | Model Code | *Approximate Maximum Differential bar (psi) |
|--------------------------------|---------------------------------------|---------------|--|
| 0.1 - 1.0 (1.43 - 14.29) | 12 (171.43) | MZ-1 | 0.15 (2.14) |
| 0.5 - 7.0 (7.14 - 100.00) | 12 (171.43) | MZ-7 | 0.15 (2.14) |
| 0.5 - 10.0 (7.14 - 142.86) | 25 (357.14) | MZ-10 | 0.8 (11.43) |
| 1.0 - 15.0 (14.29 - 214.29) | 25 (357.14) | MZ-15 | 1.5 (21.43) |
| 5.0 - 25.0 (71.43 - 357.14) | 35 (500.15) | MZ-30 | 1.5 (21.43) |

*Minimum differential increases with setpoint (Graphs available on request)

† rising pressure for MZ series

HOW TO ORDER MX / MZ SERIES PRESSURE SWITCHES

Select model code from range selection table.